

TADANO CARGO CRANE

MODEL : **TM-ZE265HRS**

CRANE SPECIFICATIONS

CRANE CAPACITY

2,630 kg at 1.5 m (4-part lines)

BOOM

Five-sectioned, fully powered partly synchronized telescoping boom of pentagonal box construction

Retracted length ----- 3.13 m

Extended length ----- 10.8 m

Extending speed ----- 7.67 m / 15.5 s

Elevation ----- Elevated by a double-acting hydraulic cylinder

Elevating speed ----- 1° to 76° / 6 s

Boom point ----- 2 sheaves

WINCH

Hydraulic motor driven Spur gear speed reduction, provided with mechanical brake and cable follower

Single line pull ----- 6.47 kN {660 kgf}

Single line speed ----- 68 m/min (at 4th layer)

Wire rope

Diameter x length --- 8 mm x 66 m

Breaking strength ---43.1 kN {4.39 tf}

Construction ----- 7 x 7 + 6 x WS(26)

Hook block ----- 2 sheaves

HOOK STOWING DEVICE

Mechanically stowed beneath boom top portion

SWING Hydraulic motor driven Worm gear speed reduction Continuous
 360° full circle swing on ball bearing slew ring
 Automatic swing lock
 Swing speed ----- 2.5 min⁻¹ {rpm}

OUTRIGGERS Manually extended sliders and hydraulically extended jacks
 Integral with crane frame Power up and down
 Extension width ----- Min. 1,720 mm
 Mid. 2,400 mm
 Full 3,000 mm

HYDRAULICS Hydraulic pump ----- Single gear pump
 Hydraulic motors ----- Axial piston type for winch
 Axial piston type for swing
 Control valves ----- Multiple control valves with integral
 safety valve
 Oil tank capacity ----- approx. 22 L

RADIO CONTROLLER Model : RCS-F
 Control functions of boom telescoping, hoisting up and down,
 boom elevating, swing, acceleration, speed mode selection,
 working height limiting, Hook-in, Hook-out, horn and emergency
 stop
 Frequency ----- 40 frequencies in 433 MHz band
 Operating power supply
 Transmitter ----- 6V DC, Dry battery R6P(SUM-3) x 4
 Control unit ----- 24V DC, Vehicle battery
 Transmitter mass ----- Approx. 576 g (includes batteries)

SAFETY DEVICES AML(Automatic Moment Limiter)
 Load indication
 Load moment ratio to rated load indication
 Warning alarm
 Over load limiter
 WHL(Working Height Limiter)
 Load meter
 Radius indicator
 Emergency stop switch on radio controller
 Terminal for emergency stop switch
 Over-winding alarm
 Hoisting limiter
 Jack interlock
 P.T.O indicator lamp
 Hook safety latch
 Hydraulic safety valves, check valves and holding valves
 Level gauge

CRANE MASS Approx. 1,095 kg (includes standardized mounting parts)

NOTE : Operating speeds of the crane are guaranteed under the condition that the pump
 delivery is 53 L /min.

RATED LIFTING CAPACITIES IN KILOGRAMS

Crane Strength Rated Capacities

Load Radius	3.13 m / 5.07 m Boom		Load Radius	7.0 m Boom	Load Radius	8.9 m Boom	Load Radius	10.8 m Boom
	Extension width of outriggers			Extension width of outriggers		Extension width of outriggers		
	Full	Minimum		Full		Full		
1.5 m and below	2,630	1,580	2.8 m and below	1,280	3.7 m and below	700	4.5 m and below	480
1.8 m	2,180	1,130	3.0 m	1,230	4.0 m	700	5.0 m	430
2.0 m	1,980	880	3.5 m	1,080	5.0 m	550	6.0 m	330
2.5 m	1,580	580	4.0 m	930	6.0 m	450	7.0 m	280
3.0 m	1,330	430	4.5 m	800	7.0 m	380	8.0 m	230
3.5 m	1,130	280	5.0 m	700	8.0 m	350	9.0 m	200
4.0 m	980	230	5.5 m	630	8.7 m	330	10.0m	180
4.87m	830	150	6.0 m	580			10.6m	160
			6.8 m	530				

- NOTES : 1. The mass of hook block (30kg), slings and all similarly used load handling devices must be added to the mass of load.
 2. The above numerical values of total rated loads are based on crane strength only. The total rated loads based on stability may lower than those in the above table depending on the loading conditions and the types of the chassis.

Empty Chassis Rated Capacities

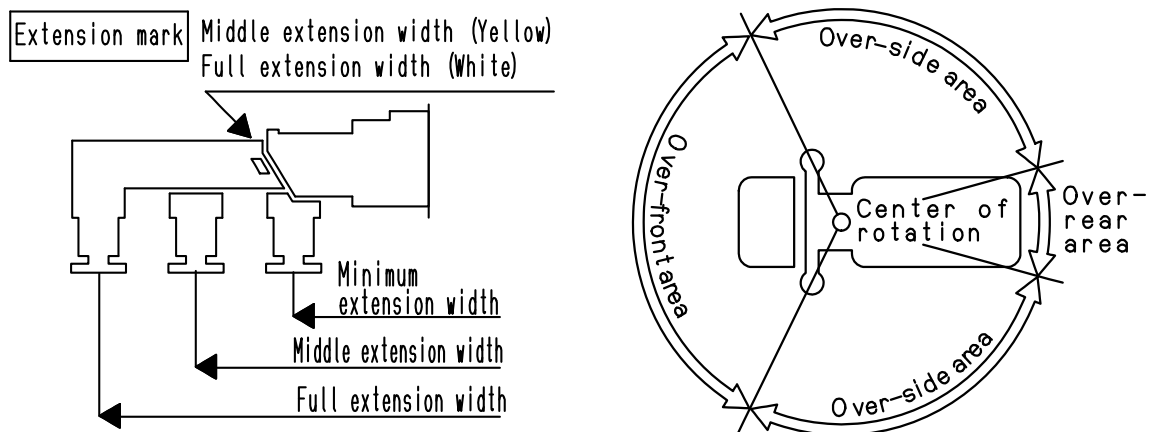
Table C

Load Radius	3.13 m / 5.07 m Boom		Load Radius	7.0 m Boom	Load Radius	8.9 m Boom	Load Radius	10.8 m Boom
	Extension width of outriggers			Extension width of outriggers		Extension width of outriggers		
	Full	Minimum		Full		Full		
1.5 m and below	2,630	1,580	2.8 m and below	1,230	3.7 m and below	680	4.5 m and below	380
1.8 m	2,130	1,130	3.0 m	1,030	4.0 m	580	5.0 m	330
2.0 m	1,930	880	3.5 m	730	5.0 m	380	6.0 m	250
2.5 m	1,530	580	4.0 m	580	6.0 m	280	7.0 m	210
3.0 m	1,030	430	4.5 m	480	7.0 m	230	8.0 m	180
3.5 m	730	280	5.0 m	400	8.0 m	180	9.0 m	150
4.0 m	580	230	5.5 m	330	8.7 m	150	10.0m	130
4.87m	430	150	6.0 m	280			10.6m	100
			6.8 m	230				

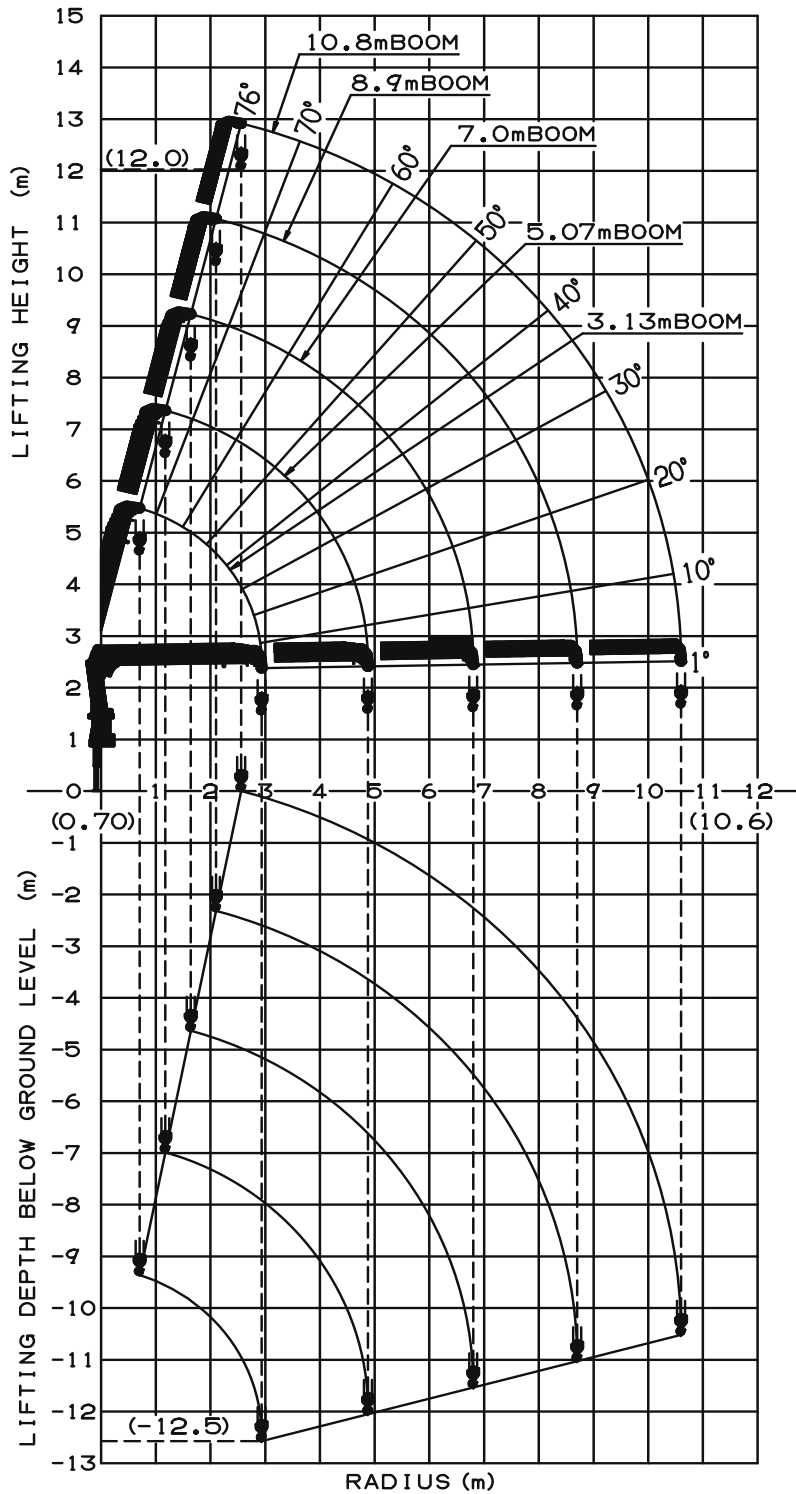
Table D

Load Radius	3.13 m / 5.07 m Boom		Load Radius	7.0 m Boom	Load Radius	8.9 m Boom	Load Radius	10.8 m Boom
	Extension width of outriggers			Extension width of outriggers		Extension width of outriggers		
	Full	Minimum		Full		Full		
1.5 m and below	2,630	1,580	2.8 m and below	1,280	3.7 m and below	700	4.5 m and below	480
1.8 m	2,180	1,130	3.0 m	1,230	4.0 m	700	5.0 m	430
2.0 m	1,980	880	3.5 m	1,080	5.0 m	550	6.0 m	330
2.5 m	1,580	580	4.0 m	930	6.0 m	450	7.0 m	280
3.0 m	1,330	430	4.5 m	800	7.0 m	380	8.0 m	230
3.5 m	1,130	280	5.0 m	700	8.0 m	350	9.0 m	200
4.0 m	980	230	5.5 m	630	8.7 m	330	10.0m	180
4.87m	830	150	6.0 m	580			10.6m	160
			6.8 m	530				

- NOTES :
1. Empty Chassis Rated Capacities in these tables depend on condition that crane is set level on firm level ground.
 2. The mass of hook block (30 kg), slings and all similarly used load handling devices must be added to the mass of load.
 3. For boom lengths not shown, use the rated lifting capacity of next longer boom.
 4. When outriggers are extended to middle extension width, use the rated lifting capacities for outriggers are extended to minimum extension width .
 5. For boom lengths longer than 5.07m, extend outriggers to full extension width.
 6. When the boom length is 8.9 m, a half of the \sphericalangle mark on lateral face of the 4th boom section is exposed out of the 3rd boom section.
 7. Empty Chassis Rated Capacities table C and D depend on the types of chassis.
 8. Empty Chassis Rated Capacities are shown for over-side areas and over-rear area. These capacities for over-front area may be lowered depending on the types of chassis.



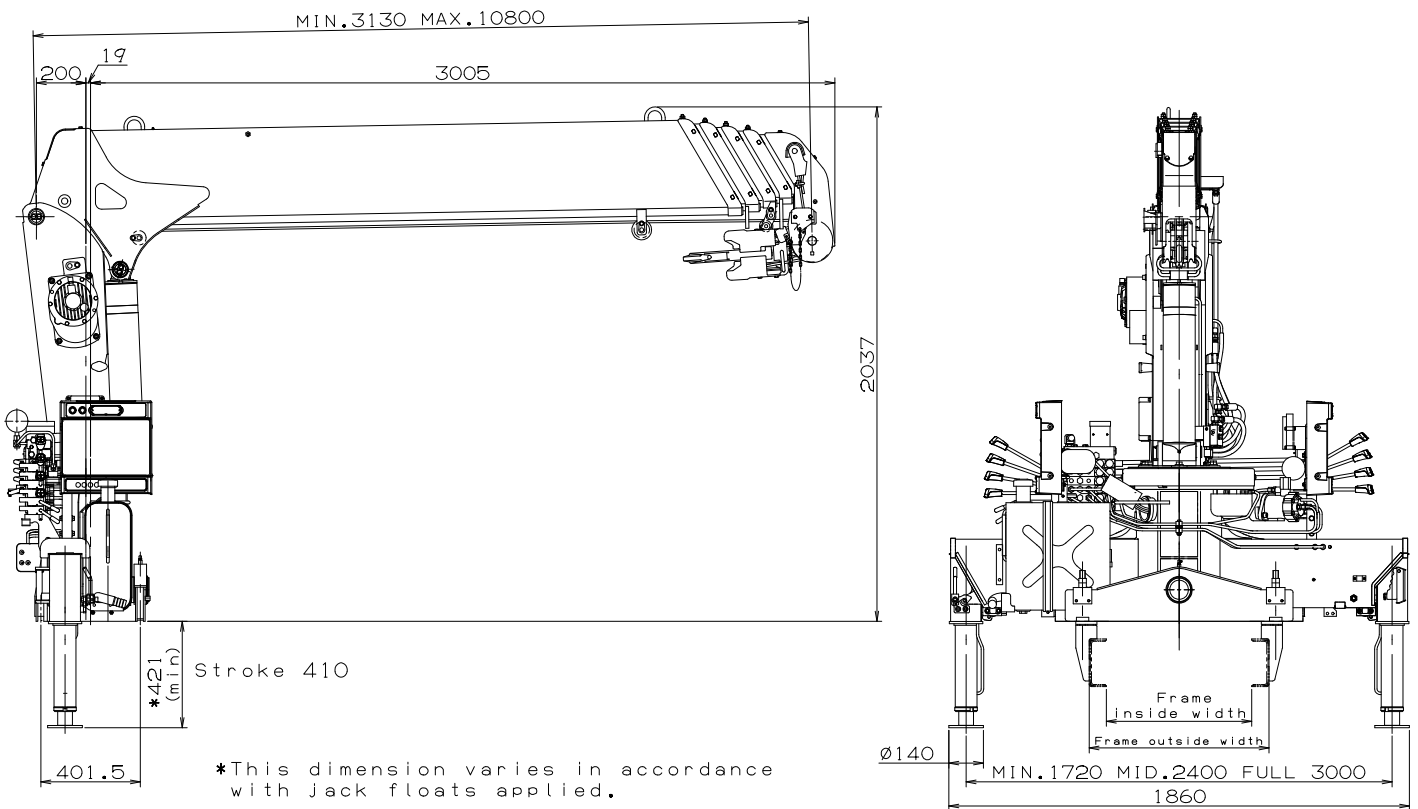
WORKING RANGE



NOTE:

The above lifting heights and boom angles are based on a straight (unladen) boom, and allowance should be made for boom deflection obtained under laden conditions.

DIMENSIONS



GENERAL DATA FOR SUITABLE TRUCKS

- Gross vehicle mass (including crane mass) ----- 4,500 to 8,000 kg
- P.T.O. torque ----- 140 N-m {14.3 kgf-m} min.
- P.T.O. revolution ----- Approx. 300 to 1,700 min⁻¹ {rpm}
- Width for crane mounting ----- Approx. 605 mm min.
- Frame ----- Weight distribution and frame strength should be calculated for each truck
- Frame width range (inside to outside) ----- Approx. 680 to 790 mm
- Frame height (ground to frame top) ----- Approx. 1,010 mm max.
(Height of crane mounting base can be changed by combination of jack floats and crane bases)