

TADANO CARGO CRANE

MODEL : **TM-ZE365HRS**

CRANE SPECIFICATIONS

<u>CRANE CAPACITY</u>	3,030 kg at 2.3 m (4-part lines)
<u>BOOM</u>	Five-sectioned, fully powered partly synchronized telescoping boom of pentagonal box construction Retracted length ----- 3.52 m Extended length ----- 12.3 m Extending speed ----- 8.78 m / 18 s Elevation ----- Elevated by a double-acting hydraulic cylinder Elevating speed ----- 1° to 78° / 7.5 s Boom point ----- 2 sheaves
<u>WINCH</u>	Hydraulic motor driven Spur gear speed reduction, provided with mechanical brake and cable follower Single line pull ----- 7.45 kN{760 kgf} Single line speed ----- 76 m/min (at 4th layer) Wire rope Diameter x length --- 8 mm x 74 m Breaking strength --- 43.1 kN{4.39 tf} Construction ----- 7 x 7 + 6 x WS(26) Hook block ----- 2 sheaves
<u>HOOK STOWING DEVICE</u>	Mechanically stowed beneath boom top portion

RATED LIFTING CAPACITIES IN KILOGRAMS

Crane Strength Rated Capacities

Load Radius	3.52 m / 5.75 m Boom		Load Radius	7.95 m Boom	Load Radius	10.1 m Boom	Load Radius	12.3 m Boom
	Extension width of outriggers			Extension width of outriggers		Extension width of outriggers		Extension width of outriggers
	Full	Minimum		Full		Full		Full
2.3 m and below	3,030	1,380	2.7 m and below	2,330	4.0 m and below	1,030	4.5 m and below	760
2.5 m	2,830	1,230	3.0 m	2,130	5.0 m	880	5.0 m	700
3.0 m	2,430	880	3.5 m	1,830	6.0 m	730	6.0 m	580
3.5 m	2,030	680	4.0 m	1,630	7.0 m	630	7.0 m	500
4.0 m	1,730	530	4.5 m	1,480	8.0 m	580	8.0 m	430
4.5 m	1,480	430	5.0 m	1,330	9.0 m	510	9.0 m	380
5.0 m	1,330	330	5.5 m	1,150	9.92m	480	10.0m	330
5.55m	1,150	280	6.0 m	1,050			11.0m	300
			6.5 m	950			12.1m	280
			7.0 m	850				
			7.75m	730				

- NOTES : 1. The mass of hook block (30kg), slings and all similarly used load handling devices must be added to the mass of load.
 2. The above numerical values of total rated loads are based on crane strength only. The total rated loads based on stability may lower than those in the above table depending on the loading conditions and the types of the chassis.

Table A Empty Chassis Rated Capacities

Load Radius	3.52 m / 5.75 m Boom		Load Radius	7.95 m Boom	Load Radius	10.1 m Boom	Load Radius	12.3 m Boom
	Extension width of outriggers			Extension width of outriggers		Extension width of outriggers		Extension width of outriggers
	Full	Minimum		Full		Full		Full
2.3 m and below	3,030	1,280	2.7 m and below	2,230	4.0 m and below	1,030	4.5 m and below	760
2.5 m	2,780	1,180	3.0 m	2,030	5.0 m	830	5.0 m	630
3.0 m	2,280	780	3.5 m	1,680	6.0 m	730	6.0 m	480
3.5 m	1,880	630	4.0 m	1,380	7.0 m	550	7.0 m	400
4.0 m	1,430	480	4.5 m	1,180	8.0 m	450	8.0 m	350
4.5 m	1,180	380	5.0 m	980	9.0 m	380	9.0 m	310
5.0 m	980	330	5.5 m	830	9.92m	330	10.0m	280
5.55m	850	280	6.0 m	730			11.0m	250
			6.5 m	630			12.1m	230
			7.0 m	550				
			7.75m	480				

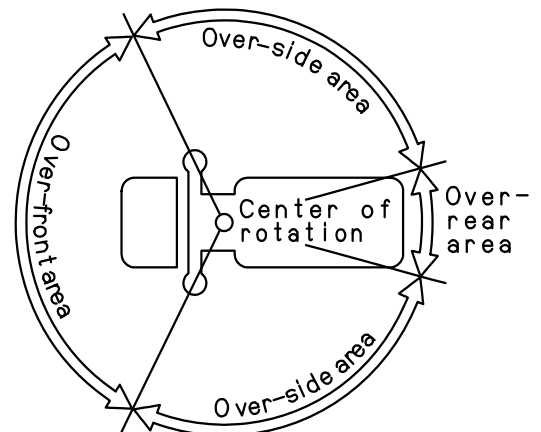
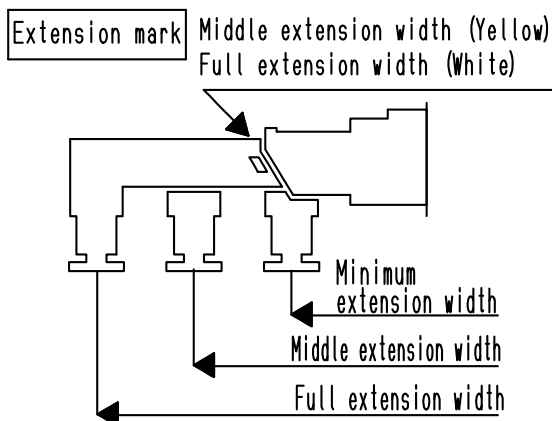
Table C

Load Radius	3.52 m / 5.75 m Boom		Load Radius	7.95 m Boom	Load Radius	10.1 m Boom	Load Radius	12.3 m Boom
	Extension width of outriggers			Extension width of outriggers		Extension width of outriggers		Extension width of outriggers
	Full	Minimum		Full		Full		Full
2.3 m and below	3,030	1,380	2.7 m and below	2,230	4.0 m and below	1,030	4.5 m and below	760
2.5 m	2,780	1,230	3.0 m	2,030	5.0 m	830	5.0 m	630
3.0 m	2,280	880	3.5 m	1,680	6.0 m	730	6.0 m	480
3.5 m	1,930	680	4.0 m	1,380	7.0 m	630	7.0 m	400
4.0 m	1,630	530	4.5 m	1,180	8.0 m	500	8.0 m	350
4.5 m	1,330	430	5.0 m	1,050	9.0 m	430	9.0 m	310
5.0 m	1,080	330	5.5 m	930	9.92m	380	10.0m	280
5.55m	930	280	6.0 m	800			11.0m	250
			6.5 m	700			12.1m	250
			7.0 m	630				
			7.75m	550				

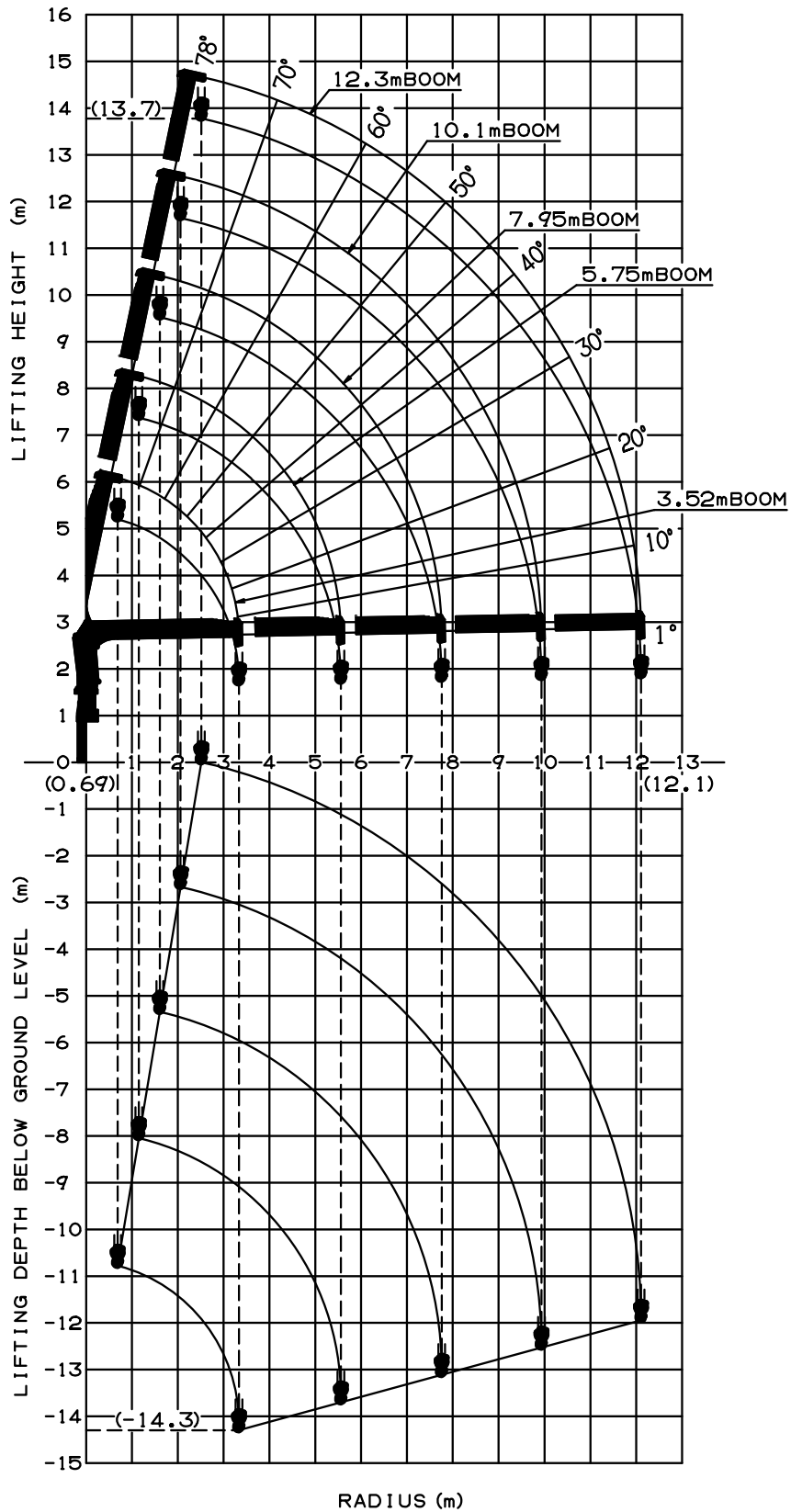
Table D

Load Radius	3.52 m / 5.75 m Boom		Load Radius	7.95 m Boom	Load Radius	10.1 m Boom	Load Radius	12.3 m Boom
	Extension width of outriggers			Extension width of outriggers		Extension width of outriggers		Extension width of outriggers
	Full	Minimum		Full		Full		Full
2.3 m and below	3,030	1,380	2.7 m and below	2,330	4.0 m and below	1,030	4.5 m and below	760
2.5 m	2,830	1,230	3.0 m	2,130	5.0 m	880	5.0 m	700
3.0 m	2,430	880	3.5 m	1,830	6.0 m	730	6.0 m	580
3.5 m	2,030	680	4.0 m	1,630	7.0 m	630	7.0 m	500
4.0 m	1,730	530	4.5 m	1,480	8.0 m	580	8.0 m	430
4.5 m	1,480	430	5.0 m	1,330	9.0 m	510	9.0 m	380
5.0 m	1,330	330	5.5 m	1,150	9.92m	480	10.0m	330
5.55m	1,150	280	6.0 m	1,050			11.0m	300
			6.5 m	950			12.1m	280
			7.0 m	850				
			7.75m	730				

- NOTES :
1. Empty Chassis Rated Capacities in these tables depend on condition that crane is set level on firm level ground.
 2. The mass of hook block (30 kg), slings and all similarly used load handling devices must be added to the mass of load.
 3. For boom lengths not shown, use the rated lifting capacity of next longer boom.
 4. When outriggers are extended to middle extension width, use the rated lifting capacities for outriggers are extended to minimum extension width .
 5. For boom lengths longer than 5.75m, extend outriggers to full extension width.
 6. When the boom length is 10.1 m, a half of the \square mark on lateral face of the 4th boom section is exposed out of the 3rd boom section.
 7. Empty Chassis Rated Capacities table A ,C and D depend on the types of chassis.
 8. Empty Chassis Rated Capacities are shown for over-side areas and over-rear area. These capacities for over-front area may lowered depending on the types of chassis.

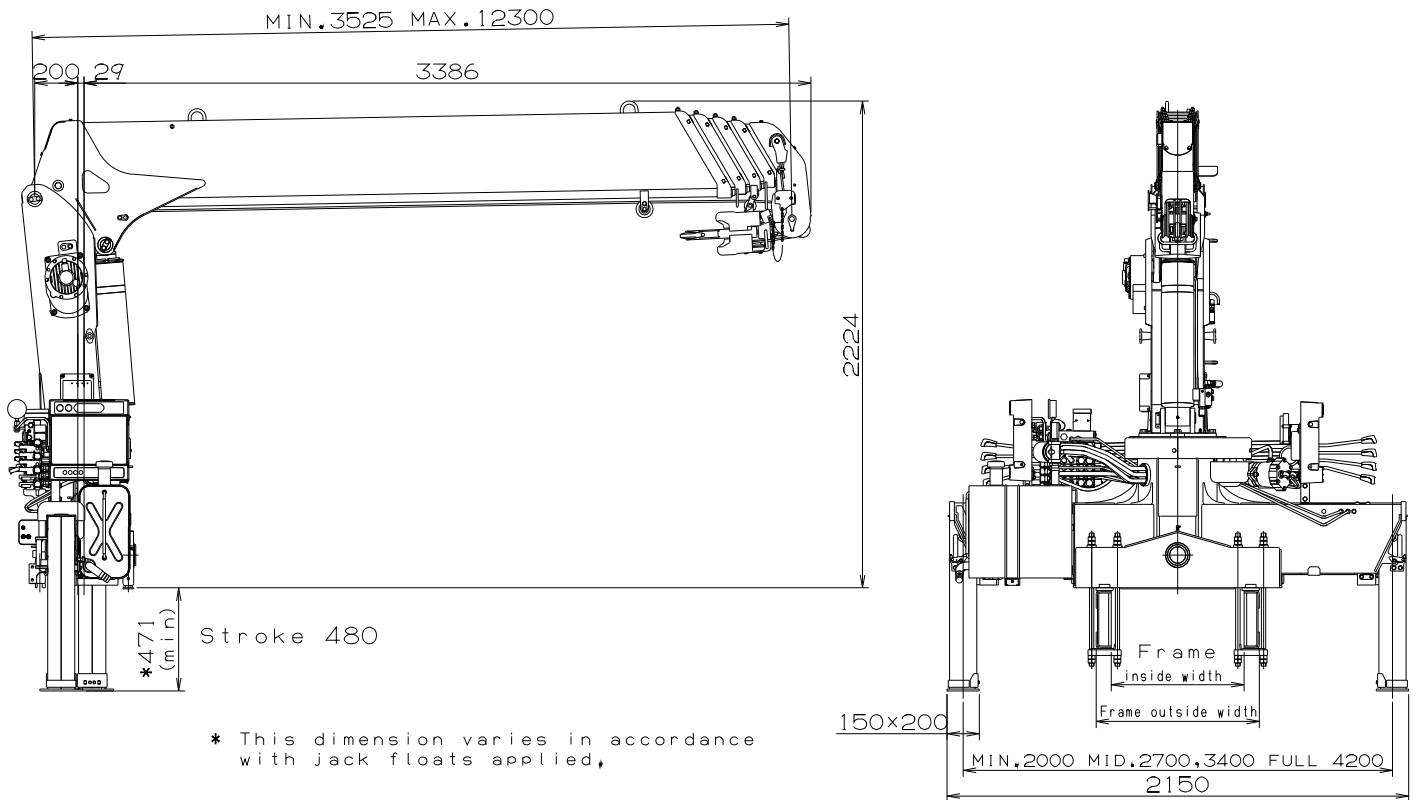


WORKING RANGE



NOTE : The above lifting heights and boom angles are based on a straight (unladen) boom, and allowance should be made for boom deflection obtained under laden conditions.

DIMENSIONS



GENERAL DATA FOR SUITABLE TRUCKS

- Gross vehicle mass (including crane mass) ----- 8,000 to 15,000 kg
- P.T.O. torque ----- 190 N-m {19.4 kgf-m} min.
- P.T.O. revolution ----- Approx. 300 to 1,900 min⁻¹ {rpm}
- Width for crane mounting ----- Approx. 640 mm min.
- Frame ----- Weight distribution and frame strength should be calculated for each truck
- Frame width range (inside to outside) ----- Approx. 610 to 860 mm
- Frame height (ground to frame top) ----- Approx. 1,070 mm max.
(Height of crane mounting base can be changed by combination of jack floats and crane bases)